

ELECTRICAL

FREQUENCY RANGE _____ 4 - 8 GHz

VSWR

PRIMARY _____ 1.25:1 MAX.
SECONDARY _____ 1.25:1 MAX.

INPUT PORT

AVG. POWER _____ 50 WATTS @ 25°C
DERATES LINEARLY TO 10% @ 125°C

PEAK POWER _____ 4 k WATTS

IMPEDANCE _____ 50 OHMS

COUPLING _____ ± .75 dB

INSERTION LOSS _____ 6dB _____ 0.65 dB MAX.
ABOVE THEORETICAL COUPLING LOSS _____ 10 and 20dB _____ 0.25dB MAX.

DIRECTIVITY _____ 20 dB MIN.

FREQUENCY SENSITIVITY _____ 6 dB _____ ± 0.50 dB
10 AND 20 dB _____ ± 0.50 dB

OPERATING TEMP RANGE _____ -54°C TO +125°C

MECHANICAL

SMA CONNECTORS - FEMALE/JACK (IAW MIL-PRF-39012 & MIL-STD-348)

CONTACTS _____ GOLD PLATED BeCu

CONNECTOR HOUSING _____ PASSIVATED STAINLESS STEEL

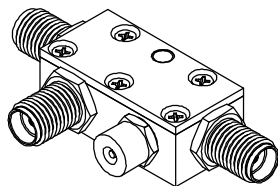
CIRCUIT CASE _____ ALUMINUM ALLOY W/ CHEMICAL
CONVERSION COAT PER MIL-DTL-5541,
TYPE II, CLASS 1A.

MARKING

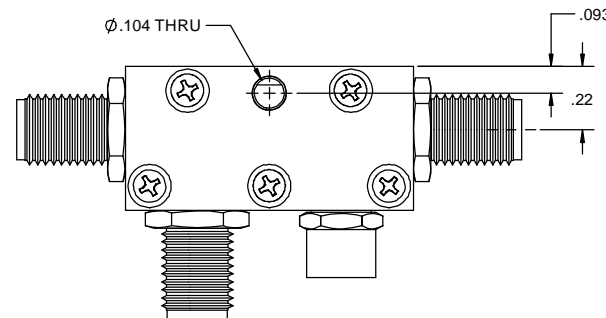
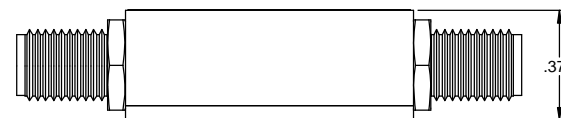
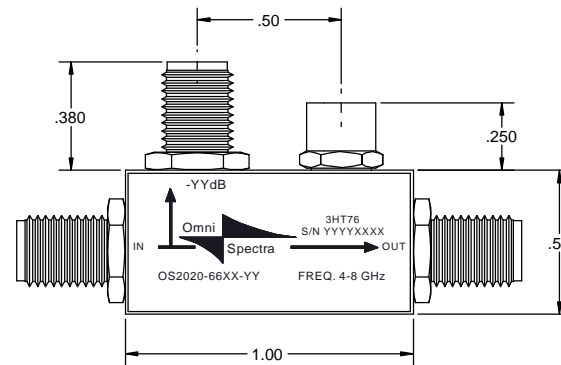
PART LOOKS LIKE PRODUCT DISPLAYED.
PART MARKING ORIENTATION AND FORMAT AS SHOWN.
WHERE "-YY" IS THE dB VALUE, IS TO BE REPLACED WITH THE dB VALUE
FROM WORK ORDER. SEE CHART BELOW.
IN THE CUSTOMER P/N, REPLACE "XX-YY" WITH THE VALUE MATCHING CUSTOMER
P/N ON THE WORK ORDER. VERIFY USING CHART BELOW.
MARKING IS TO BE AS LARGE AS POSSIBLE, CLEAR, READABLE.
PART SHALL BE SERIALIZED.

P/N	COUPLING VALUE
OS2020-6616-06	6 dB
OS2020-6617-10	10 dB
OS2020-6618-20	20 dB

NOTE: FOR DFARS COMPLIANT PART,
ADD "-DF" TO END OF PART NUMBER



REVISIONS				
REV	DESCRIPTION	ECO #	DATE	APPROVED
-	INITIAL RELEASE		3/7/11	T.KUHN
A	REVISED SPECS	13-241	10/9/13	T.KUHN
B	REVISED MARKING/TEXT LOC.	16-095	4/2/16	T.KUHN



DRAWING PRACTICES PER ANSI Y14.5 DIMENSIONS ARE IN INCHES AND APPLY BEFORE/AFTER PROCESSING		UNLESS OTHERWISE SPECIFIED TOLERANCES IN: DECIMALS INCH (MM)		DRAWN DATE MCCORMICK 3/21/16		 Phone: 603-222-2256 Fax: 603-222-2259 150 Dow Street, Manchester, NH 03103 TITLE	
SURFACE FINISH: 63		.X" .05" [1.27] .XX" .03" [.76] .XXX" .010" [.25]		CHECKED DATE MCCORMICK 3/21/16			
FINISH: SEE NOTE		ANGLES ±0°30'		ENG APPR. DATE BA 3/21/16		THESE DRAWINGS AND SPECIFICATIONS ARE THE PROPERTY OF XMA CORP. OR OMNI SPECTRA AND SHALL NOT BE REPRODUCED, COPIED NOR USED IN WHOLE OR IN PART AS A BASIS FOR THE MANUFACTURE OR SALE OF OTHER ITEMS WITHOUT THE EXPRESS WRITTEN PERMISSION OF XMA CORP.	
MATERIAL: REMOVE ALL BURRS/SHARP W/ BREAK / R OF .003" TO .0005" UNLESS OTHERWISE NOTED DIAS CONCENTRIC <.003 T.I.R.		DO NOT SCALE PRINT		SIZE C		CAGE CODE 3HT76	
NOTE: THIS DRAWING INCORPORATES THIRD ANGLE PROJECTION.				DRAWING NUMBER OS2020-66XX-YY-4-8GHz		REV B	
INTERPRET IAW ANSI Y14.5-1982				SCALE		SHEET 1 OF 1	