

REVISIONS				
REV	DESCRIPTION	ECD #	DATE	APPROVED
-	RELEASED		5/06/12	D. SAUNDERS
A	ADDED TABLE 1	13-275	11/07/13	T. KUHN

SPECIFICATIONS

INPUT POWER (AVG.) IMPORTANT - UNIDIRECTIONAL DESIGN 100 WATTS

NOTE: ONLY APPLY THIS POWER TO DESIGNATED INPUT PORT
OUTPUT PORT ONLY CAPABLE OF 20 WATTS
HIGHER POWER MAY RESULT IN DAMAGE TO UNIT.

INPUT MAX. PEAK POWER 2,000 W
<5 μSEC. PW, /<0.1% DUTY CYCLE

POWER DERATES TO 10% @ +125°C AMBIENT FROM 25°C

HEAT SINK THERMAL RISE (CALCULATED) 0.58°C/Watt

WEIGHT (MAX.) (LESS, DEPENDING ON CONNECTORS TYPES) 42 OZ. (1.3 KG)

TEMPERATURE RANGE -55°C TO +85°C

ELECTRICAL PERFORMANCE SPECIFIED WHEN INPUT PORT IS MATED WITH A CONNECTOR FROM TABLE 1

POWER HANDLING BEST WHEN UNIT IS MOUNTED WITH HEAT SINK FINS VERTICAL THOUGH UNIT HANDLES FULL POWER IN ANY ORIENTATION WITH FREE AIR CONVECTION

ONLY INPUT PORT CAN TAKE FULL 150 WATTS, OUTPUT PORT 20 WATTS MAX.

MATERIALS:

CONNECTORS (COMPLY WITH MIL-PRF-39012 & MIL-STD-348);

HOUSING AND COUPLING NUTS ARE STAINLESS STEEL.
CENTER CONTACTS ARE BERYLLIUM COPPER

CASE IS ALUMINUM ALLOY WITH EITHER SILVER OR WHITE BRONZE PLATING

HEAT SINKS ARE ALUMINUM ALLOY, BLACK ANODIZE FINISH

INTERNAL RESISTIVE ELEMENTS ARE EITHER BERYLLIUM OXIDE OR ALUMINUM NITRIDE CERAMIC WITH THICK FILM AND/OR THIN FILM RESISTORS

ROHS COMPLIANT DESIGN

UNIT SUPPLIED WITH MOUNTING HOLES FOR BRACKET OR MOUNTING STANDOFFS

ATTENUATION VALUES AVAILABLE:

3, 6, 10, 20, 30 & 40 DB STANDARD WITH 50 & 60 DB SPECIAL ORDER.
50 DB AND 60 DB UNITS WILL BE APPROXIMATELY 1.9 LONGER

RF ELECTRICAL SPECIFICATIONS:

ATTENUATION	DC - 2 GHz	2 - 4 GHz	4 - 6 GHz	6 - 8 GHz
03 DB	±0.75	±0.75	±1.00	-0.75/+1.25
06 DB	±0.75	±0.75	±1.00	-1.00/+1.25
10 DB	±0.75	±1.00	±1.25	±1.50
20 DB	±1.00	±1.00	±1.25	±1.50
30 DB	±1.00	±1.25	±1.50	±1.75
40 DB	±1.25	±1.25	±1.50	±2.00
Special Orders: 50 AND 60 DB	±1.50	±2.00	±2.50	±3.00
VSWR (MAX.)	1.20:1	1.35:1	1.45:1	1.50:1

ORDERING INFORMATION

FQ = FREQUENCY MAX. ENTER EITHER:
02 (2.5 GHz), 04 (GHz), 06 (GHz) OR 08 (GHz)

DB = ATTENUATION CHOICE FROM BELOW TABLE LEFT COLUMN OF 03, 06, 10, 20, 30, 40, 50 OR 60

ORDER THE COAXIAL CONNECTORS FOR UNIT SEPARATELY AS
"ADXX-9801-FF" FEMALE OR "ADXX-9901-FF MALE
XX = : AD20 (SMA), AD30 (TYPE N), AD31 (TNC), AD76 (DIN 7/16)
FF = : FINISH ON CONNECTORS AND 02= PASSIVATD (EXCEPT AD76); 03 = SILVER (EXCEPT SMA CONNECTORS)

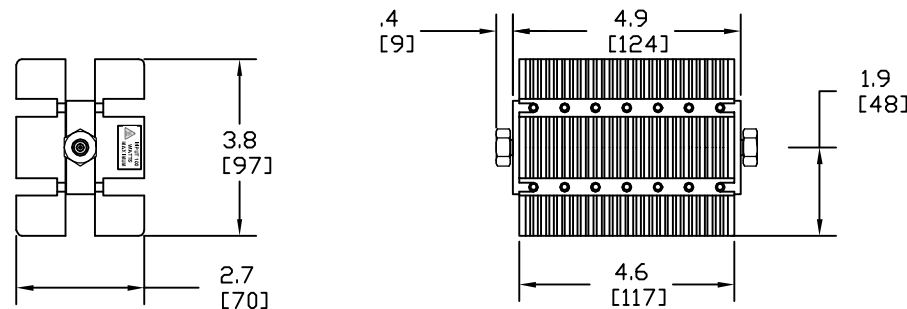
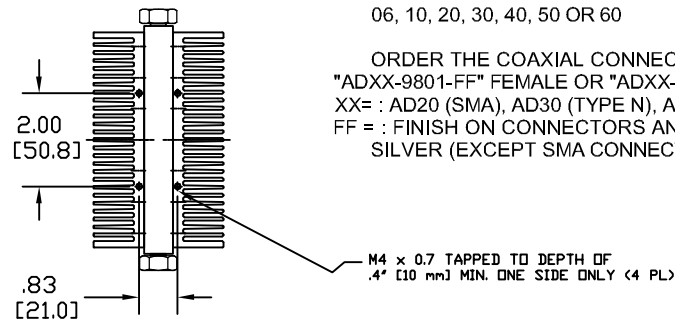


TABLE 1

DESCRIPTION	PART NUMBER	FACORY TORQUE	INDUSTRY MATING TORQUE
SMA MALE	AD20-9901-02	25 LB. IN.	7-10 LB. IN.
SMA FEMALE	AD20-9801-02	25 LB. IN.	7-10 LB. IN.
TYPE N MALE	AD30-9901-02	40 LB. IN.	15-20 LB. IN.
TYPE N FEMALE	AD30-9801-02	40 LB. IN.	15-20 LB. IN.
TNC MALE	AD31-9901-02	40 LB. IN.	12-15 LB. IN.
TNC FEMALE	AD31-9801-02	40 LB. IN.	12-15 LB. IN.
7/16 MALE	AD76-9901-02**	50 LB. IN.	20-25 LB. FT.
7/16 FEMALE	AD76-9801-02**	50 LB. IN.	20-25 LB. FT.

** RATED TO 8 GHz MAX. USE CONNECTOR WRENCH FLATS WHEN MATING/DEMATING IN THE FIELD.

<small>DRAWING PRACTICES PER ANSI-Y14.5-1982</small> <small>UNLESS OTHERWISE SPECIFIED TOLERANCES IN:</small> <small>INCHES .010" [.25]</small> <small>MILLIMETERS .005" [.127]</small> <small>ANGLES ±0°30'</small> <small>REMOVE ALL BURRS/SHARP W/ BREAK / R OF .003" TO .0005"</small> <small>UNLESS OTHERWISE NOTED, DIAS CONCENTRIC ±.003 T.M.P.</small> <small>DO NOT SCALE PRINT</small>	<small>DRAWN</small> DATE D. SAUNDERS 5/06/12 <small>CHECKED</small> DATE <small>ENG APPR.</small> DATE D. SAUNDERS 5/06/12	Powered by: Omni Spectra Phone: 603-222-2256 Fax: 603-222-2259 150 Dow Street, Manchester, NH 03101	100 WATT INPUT, TYPE N ATTENUATOR - AIR COOLED
<small>SCALE</small> .5:1		<small>DATE</small> 5/06/12	<small>SHEET</small> 1 OF 1