

SPECIFICATIONS

ELECTRICAL

FREQUENCY RANGE _____ DC - 65 GHz
 STANDARD dB VALUES _____ SEE CHART A

ATTENUATION ACCURACY _____	DC - 26.5 GHz	26.5 - 40 GHz	40 - 60 GHz	60 - 65 GHz
1-9 dB	±0.75 dB	±1.0 dB	±1.5 dB	±1.5 dB
10 dB	±0.75 dB	±1.25 dB	±1.5 dB	±1.75 dB
20 dB	±1.0 dB	±1.25 dB	±2.0 dB	±2.5 dB
30 dB	±1.25 dB	±1.5 dB	±2.0 dB	±5.0 dB

VSWR _____ DC-26.5 GHz 26.5 - 40 GHz 40 - 65 GHz
 <1.35 <1.55 <1.65

INPUT POWER (AVG. MAX.) _____ 1 WATT @25°C SEE TABLE
 DERATES LINEARLY TO 10% AT +100°C from + 25°

IMPEDANCE _____ 50 OHMS (NOM.)

OPERATING/STORAGE TEMP. RANGE ___ -55 TO +100°C

MATERIAL

HOUSING: STAINLESS STEEL IAW ASTM-A484 & ASTM-A582, ALLOY 303, COND A

CONTACT: BERYLLIUM COPPER

DIELECTRIC - TEFLON

FINISH

HOUSING - PASSIVATED STAINLESS STEEL

CONDUCTOR - GOLD PLATED IAW MIL-PRF-39012

RoHS COMPLIANT DEVICE

MARKING

PART LOOKS LIKE PRODUCT IMAGE ABOVE.

PART MARKING ORIENTATION AND FORMAT AS SHOWN (CURVED SURFACE).

dB = SEE WORK ORDER FOR TWO DIGIT dB VALUE.

MARKING TO BE AS LARGE AS POSSIBLE. .020" SHOWN.

TEXT HEIGHT IS SUGGESTED ONLY, FIT AS DIPICTED.

YYWW EQUALS DATE CODE.

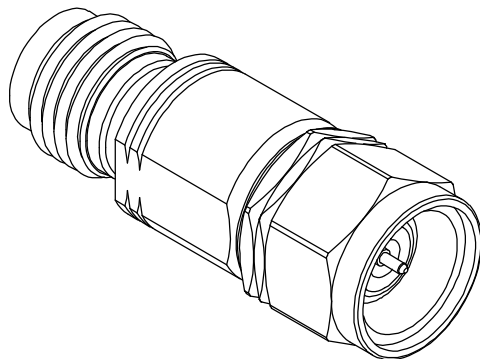
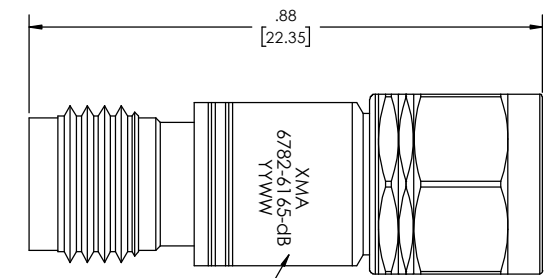
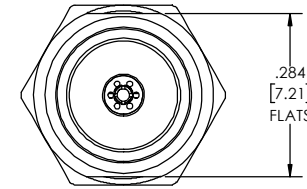
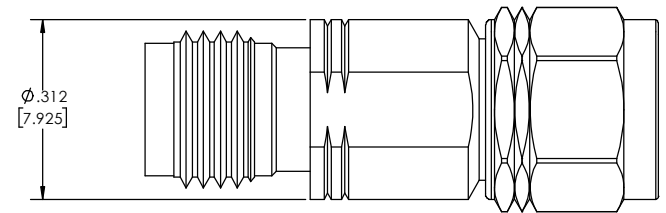


CHART A	
-dB	MARKED dB VALUE
01	01
02	02
03	03
04	04
05	05
06	06
07	07
08	08
09	09
10	10
20	20
30	30

REVISIONS				
REV	DESCRIPTION	ECO #	DATE	APPROVED
-	INITIAL RELEASE	16-128	6/6/16	T.KUHN
A	ADDED TO CHART A	18-182	12/12/18	T.KUHN



QTY.	PART NUMBER	DESCRIPTION	ITEM NO.
X	6782-6165-dB	ATTENUATOR, 1.85mm, MALE TO FEMALE, DC-65 GHz, 1 WATT	
1	TA-6782-6165-dBU	ASSEMBLY, ATTENUATOR, 1.85mm, MALE TO FEMALE, DC-65 GHz, 1 WATT, UNMARKED	1

DRAWING PRACTICES PER ANSI Y14.5 DIMENSIONS ARE IN INCHES AND APPLY BEFORE/AFTER PROCESSING SURFACE ROUGHNESS: 63 FINISH:	UNLESS OTHERWISE SPECIFIED TOLERANCES IN: DECIMALS INCH (MM) .X" .05" [1.27] .XX" .03" [.76] .XXX" .010" [.25]	DRAWN: MCCORMICK07/16/14 CHECKED: MCCORMICK07/16/14 ENG APPR: T.KUHN DATE: 0/16/14	DATE: 0/16/14 PHONE: 603-222-2256 FAX: 603-222-2259 7 Perimeter Road, Manchester, NH 03103
MATERIAL: NOTE: THIS DRAWING INCORPORATES THIRD ANGLE PROJECTION. INTERPRET IAW ANSI Y14.5-1982	ANGLES ±0°30' REMOVE ALL BURRS/SHARP W/ BREAK / R OF .003" TO .0005" UNLESS OTHERWISE NOTED DIAS CONCENTRIC <.003 T.I.R. DO NOT SCALE PRINT	THESE DRAWINGS AND SPECIFICATIONS ARE THE PROPERTY OF XMA CORP. OR OMNI SPECTRA AND SHALL NOT BE REPRODUCED, COPIED NOR USED IN WHOLE OR IN PART AS A BASIS FOR THE MANUFACTURE OR SALE OF OTHER ITEMS WITHOUT THE EXPRESS WRITTEN PERMISSION OF XMA CORP.	
TITLE: ATTENUATOR, 1.85mm, MALE TO FEMALE, DC-65 GHz, 1 WATT		SIZE: C CAGE CODE: 3HT76 SCALE:	DRAWING NUMBER: 6782-6165-dB REV: A SHEET 1 OF 1