

**SPECIFICATIONS**

**ELECTRICAL**

FREQUENCY RANGE \_\_\_\_\_ DC - 65 GHz  
 STANDARD dB VALUES \_\_\_\_\_ SEE CHART A

ATTENUATION ACCURACY _____	DC - 26.5 GHz	26.5 - 40 GHz	40 - 60 GHz	60 - 65 GHz
0-9 dB	±0.75 dB	±1.0 dB	±1.5 dB	±1.5 dB
10 dB	±0.75 dB	±1.25 dB	±1.5 dB	±1.75 dB
20 dB	±1.0 dB	±1.25 dB	±2.0 dB	±2.5 dB
30 dB	±1.25 dB	±1.5 dB	±2.0 dB	±5.0 dB

VSWR \_\_\_\_\_ DC-26.5 GHz 26.5 - 40 GHz 40 - 65 GHz  
 <1.35 <1.55 <1.75

INPUT POWER (AVG. MAX.) \_\_\_\_\_ 1 WATT @25°C SEE TABLE  
 DERATES LINEARLY TO 10% AT +100°C from + 25°

IMPEDANCE \_\_\_\_\_ 50 OHMS (NOM.)

OPERATING/STORAGE TEMP. RANGE \_\_\_\_\_ 20m KELVIN TO +100°C

**MATERIAL**

HOUSING: STAINLESS STEEL IAW ASTM-A484 & ASTM-A582, ALLOY 303, COND A

CONTACT: BERYLLIUM COPPER

DIELECTRIC - TEFLON

**FINISH**

HOUSING - PASSIVATED STAINLESS STEEL

CONDUCTOR - GOLD PLATED IAW MIL-PRF-39012

**RoHS COMPLIANT DEVICE**

**MARKING**

PART LOOKS LIKE PRODUCT IMAGE ABOVE.

PART MARKING ORIENTATION AND FORMAT AS SHOWN (CURVED SURFACE).

dB = SEE WORK ORDER FOR TWO DIGIT dB VALUE.

MARKING TO BE AS LARGE AS POSSIBLE. .020" SHOWN.

TEXT HEIGHT IS SUGGESTED ONLY, FIT AS DICTATED.

YYWW EQUALS DATE CODE.

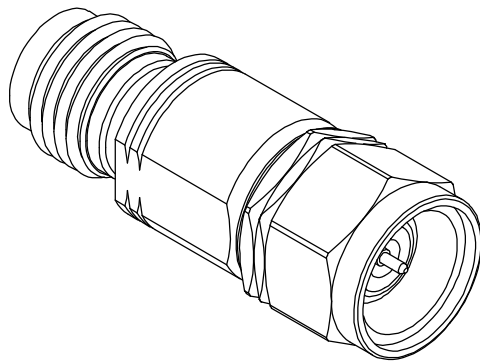
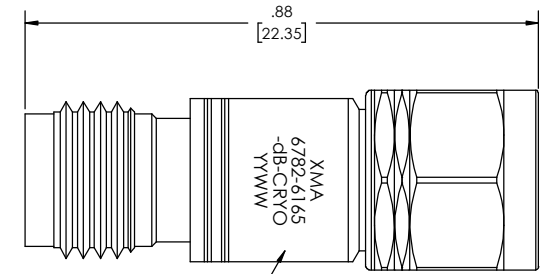
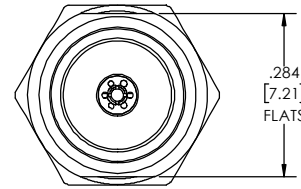
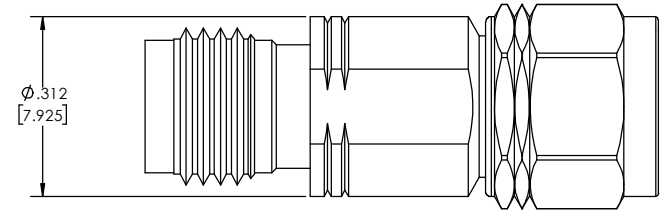


CHART A	
-dB	MARKED dB VALUE
00	00
01	01
02	02
03	03
04	04
05	05
06	06
07	07
08	08
09	09
10	10
20	20
30	30

REVISIONS				
REV	DESCRIPTION	ECO #	DATE	APPROVED
X1	PRELIMINARY RELEASE		11/8/19	T.KUHN
X2	REVISED 40-65 GHz VSWR. WAS <1.65	19-ER058	1/13/20	T.KUHN



MARKING AREA  
SEE NOTE

QTY.	PART NUMBER	DESCRIPTION	ITEM NO.
X	6782-6165-dB-CRYO	ATTENUATOR, 1.85mm, MALE TO FEMALE, DC-65 GHz, 1 WATT	
1	TA-6782-6165-dBU-CRYO	ASSEMBLY, ATTENUATOR, 1.85mm, MALE TO FEMALE, DC-65 GHz, 1 WATT, UNMARKED	1

DRAWING PRACTICES PER ANSI Y14.5 DIMENSIONS ARE IN INCHES AND APPLY BEFORE/AFTER PROCESSING SURFACE ROUGHNESS IN INCHES: 63 FINISH: SEE NOTE MATERIAL: SEE NOTE NOTE: THIS DRAWING INCORPORATES THIRD ANGLE PROJECTION. INTERPRET IAW ANSI Y14.5-1982	UNLESS OTHERWISE SPECIFIED TOLERANCES IN: DECIMALS INCH (MM) .X" .05" [1.27] .XX" .03" [.76] .XXX" .010" [.25]	DRAWN DATE MCCORMICK 11/8/19 CHECKED DATE MCCORMICK 11/8/19 ENG APPR. DATE T.KUHN 11/8/19
ANGLES ±0°30' REMOVE ALL BURRS/SHARP W/ BREAK / R OF .003" TO .0005" UNLESS OTHERWISE NOTED DIAS CONCENTRIC <.003 T.I.R.	DO NOT SCALE PRINT	THESE DRAWINGS AND SPECIFICATIONS ARE THE PROPERTY OF XMA CORP. OR OMNI SPECTRA AND SHALL NOT BE REPRODUCED, COPIED NOR USED IN WHOLE OR IN PART AS A BASIS FOR THE MANUFACTURE OR SALE OF OTHER ITEMS WITHOUT THE EXPRESS WRITTEN PERMISSION OF XMA CORP.

Phone: 603-222-2256 Fax: 603-222-2259 7 Perimeter Road, Manchester, NH 03103			
ATTENUATOR, 1.85mm-m/f, DC-65 GHz, 1W, CRYO			
SIZE	CAGE CODE	DRAWING NUMBER	REV
C	3HT76	6782-6165-dB-CRYO	X2
SCALE	PLATED AREA SQ. IN	SHEET 1 OF 1	