

5

4

3

2

1

SPECIFICATIONS

ELECTRICAL

FREQUENCY \_\_\_\_\_ DC-18 GHz

ATTENUATION ACCURACY \_\_\_\_\_ ±0.75 dB GOAL  
0, 3, 6, 10, 20 & 30dB

VSWR \_\_\_\_\_ 1.25:1 GOAL, 1.35:1 MAX

POWER \_\_\_\_\_ 1W

OPERATING TEMPERATURE RANGE \_\_\_\_\_ 4 KELVIN TO +125°C

MECHANICAL

HOUSING \_\_\_\_\_ C101 COPPER, GOLD PLATED WITH WHITE BRONZE UNDERPLATE (NO NICKEL)

CONTACT \_\_\_\_\_ BERYLLIUM COPPER, GOLD PLATED IAW MIL-PRF-39012

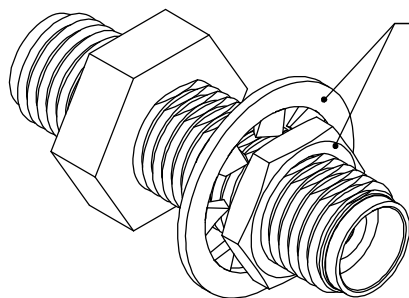
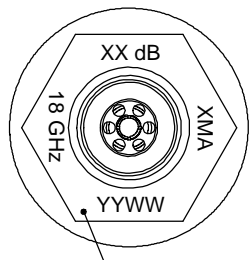
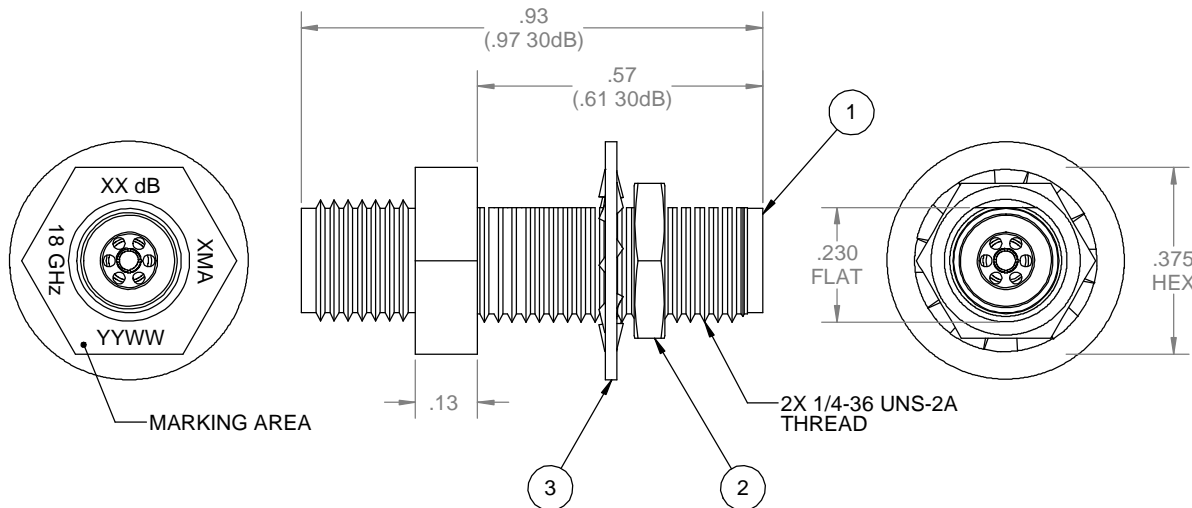
TORQUE \_\_\_\_\_ 7-10 in/lbs

RoHS COMPLIANT DEVICE

MARKING:

PART LOOKS LIKE PRODUCT IMAGE ABOVE.  
PART MARKING ORIENTATION AND FORMAT AS SHOWN.  
REPLACE XX WITH APPROPRIATE SINGLE OR DOUBLE DIGIT dB VALUE.  
MARKING TO BE AS LARGE AS POSSIBLE, CLEAR, READABLE.  
YYWW EQUALS DATE CODE.

REVISIONS				
REV	DESCRIPTION	ECO #	DATE	APPROVED
-	INITIAL RELEASE	18-171	11/16/18	T.KUHN
A	ADDED WASHER AND NUT	19-104	9/18/19	T.KUHN
B	REVISED WASHER AND NUT	20-155	10/5/20	MES
C	ADDED NUT & WASHER PKG NOTE	20-052	4/13/21	CM



QTY.	PART NUMBER	DESCRIPTION	ITEM NO.
X	4880-5523-dB-CRYO	ATTENUATOR, 2.92mm-f, DC-18 GHz, 1W	
1	TA-4880-5523-dBU-CRYO	ASSY, ATTENUATOR, 2.92mm-f, DC-18 GHz, 1W, UNMARKED	1
1	5002-14-0153	JAM NUT	2
1	5040-28-0153	INTERNAL TOOTH LOCK WASHER	3

DRAWING PRACTICES PER ANSI-Y-14.5 MIL-STD-100 & 1000

DIMENSIONS ARE IN INCHES AND APPLY BEFORE / AFTER PROCESSING

SURFACE ROUGHNESS  $\mu$ INCHES 63

FINISH:

SEE NOTES

MATERIAL:

SEE NOTES

NOTE: THIS DRAWING INCORPORATES THIRD ANGLE PROJECTION.

INTERPRET IAW ANSI Y14.5-1982

UNLESS OTHERWISE SPECIFIED TOLERANCES IN:

DECIMALS	INCH	[MM]
.X"	.05"	[1.27]
.XX"	.03"	[.76]
.XXX"	.010"	[.25]

ANGLES ±0°30'

REMOVE ALL BURRS/SHARP W/ BREAK / R OF .003" TO .0005" UNLESS OTHERWISE NOTED

DIAS CONCENTRIC <.003 T.I.R.

DO NOT SCALE PRINT

DRAWN DATE  
MCCORMICK 8/27/18

CHECKED DATE  
MCCORMICK 8/27/18

ENG. APPR. DATE  
T.KUHN 8/27/18

THESE DRAWINGS AND SPECIFICATIONS ARE THE PROPERTY OF XMA CORP. OR OMNI SPECTRA AND SHALL NOT BE REPRODUCED, COPIED NOR USED - IN WHOLE OR IN PART - AS A BASIS FOR THE MANUFACTURE OR SALE OF OTHER ITEMS WITHOUT THE EXPRESS WRITTEN PERMISSION OF XMA CORP.



Phone: 603-222-2256 Fax: 603-222-2259  
7 Perimeter Road, Manchester, NH 03103

ATTENUATOR, 2.92mm-f, DC-18 GHz, 1W

SIZE	CAGE CODE	DRAWING NUMBER	REV
B	3HT76	4880-5523-dB-CRYO	C
SCALE	PLATED AREA SQ. IN	SHEET 1 OF 1	