

4

3

2

1

SPECIFICATIONS

ELECTRICAL

FREQUENCY RANGE _____ DC - 18GHz

AVAILABLE dB VALUES _____ 3, 6, 10, 20, 30, 40dB

ATTENUATION ACCURACY _____ DC - 6 GHz 6 - 12.4 GHz 12.4 - 18 GHz

1-6 dB _____ ±0.3 dB	±0.5 dB	±0.75 dB
7-10, & 20 dB _____ ±0.5 dB	±0.75 dB	±1.00 dB
30 dB _____ ±0.75 dB	±1.00 dB	±1.25 dB
40 dB _____ ±1.00 dB	±1.25 dB	±1.50 dB
50 dB _____ ±1.25 dB		

VSWR

DC - 6 GHz _____	1.20:1 MAX
6 - 12.4 GHz _____	1.30:1 MAX
12.4 - 18 GHz _____	1.40:1 MAX

INPUT POWER _____ 25 WATTS AVG. @ 25°C
DERATED LINEARLY TO 10 WATTS @ 125°C

PEAK POWER _____ 500 WATTS
(5uSec PULSE, .05% DUTY CYCLE)

IMPEDANCE _____ 50 OHMS

OPERATING TEMP RANGE _____ -65°C TO +125°C

MECHANICAL

CONNECTORS _____ PASSIVATED STAINLESS STEEL

CONDUCTORS _____ GOLD PLATED BERYLLIUM COPPER

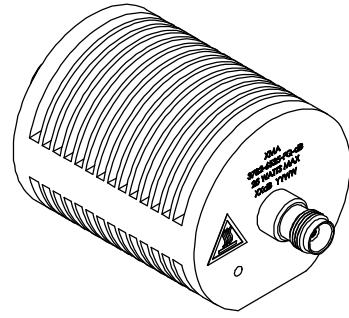
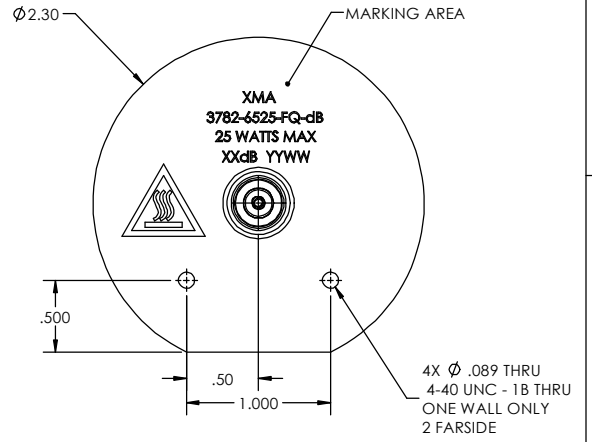
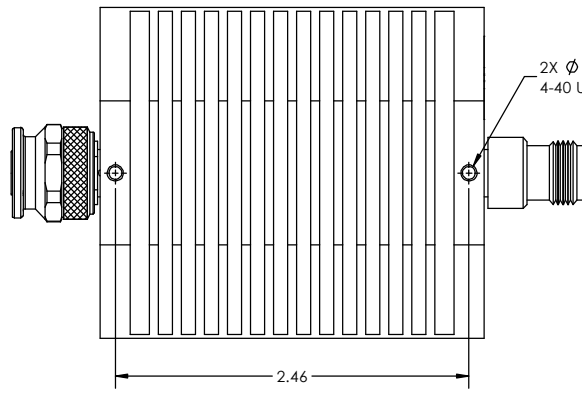
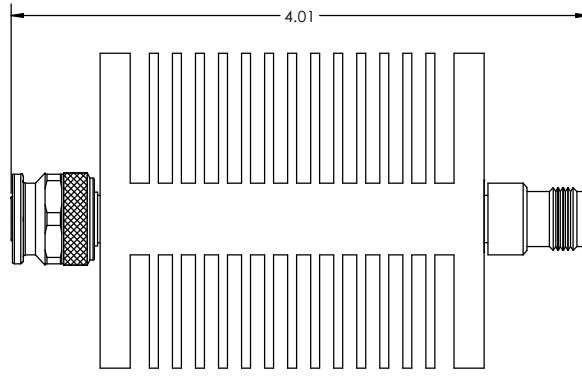
HOUSING _____ BLACK ANODIZED ALUMINUM

MARKING

PART LOOKS LIKE PRODUCT IMAGE ABOVE.
PART MARKING ORIENTATION AND FORMAT AS SHOWN.
MARKING TO BE AS LARGE AS POSSIBLE BE CLEAR, READABLE.
"FQ" VALUE TO BE THE TWO DIGIT NUMBER AS SPECIFIED ON WORK ORDER.
REPLACE "XX" AND "dB" WITH THE TWO DIGIT dB VALUE SPECIFIED ON WORK ORDER.
YYWW EQUALS DATECODE.

FQ	FREQUENCY RANGE
-06-	DC-6 GHz
-12-	DC-12.4 GHz
-18-	DC-18 GHz

REVISIONS				
REV	DESCRIPTION	ECO #	DATE	APPROVED
-	INITIAL RELEASE	17-133	9/7/17	T.KUHN



QTY.	PART NUMBER	DESCRIPTION	ITEM NO.
X	3782-6525-FQ-dB	ATTENUATOR, TNC-m/f, 25W	
1	TA-3782-6525-FQ-dBU	ASSY, ATTENUATOR, TNC-m/f, 25W, UNMARKED	1

DRAWING PRACTICES PER ANSI Y14.5
131-STD-10 & 1002

DIMENSIONS ARE IN INCHES AND APPLY BEFORE/AFTER PROCESSING

SURFACE FINISH: 63

FINISH: SEE NOTE

MATERIAL: SEE NOTE

NOTE: THIS DRAWING INCORPORATES THIRD ANGLE PROJECTION.

INTERPRET LAW ANSI Y14.5-1982

UNLESS OTHERWISE SPECIFIED TOLERANCES IN:

DECIMALS	INCH	(MM)
.X"	.05"	[1.27]
.XX"	.03"	[.76]
.XXX"	.010"	[.25]

ANGLES ±0°30'

REMOVE ALL BURRS/SHARP W/ BREAK / R OF .003" TO .0005"

UNLESS OTHERWISE NOTED DIAS CONCENTRIC <.003 T.I.R.

DO NOT SCALE PRINT

DRAWN DATE
McCORMICK 2/15/17

CHECKED DATE
McCORMICK 2/15/17

ENG APPR. DATE
T.KUHN 2/15/17

Phone: 603-222-2256 Fax: 603-222-2259
150 Dow Street, Manchester, NH 03101

ATTENUATOR, TNC-m/f, 25W

SIZE	CAGE CODE	DRAWING NUMBER	REV
C	3HT76	3782-6525-FQ-dB	-

SCALE: PLATED AREA 50 IN SHEET 1 OF 1

4

3

2

1