

SPECIFICATIONS

ELECTRICAL

FREQUENCY RANGE	DC - 6GHz, 12.4GHz & 18GHz		
AVAILABLE dB VALUES	1 - 10, 20, 30, 40 & 50 dB		
ATTENUATION ACCURACY	DC-6GHz	6-12.4GHz	12.4-18GHz
1 - 6 dB	±0.3 dB	±0.5 dB	±0.75 dB
7 - 10 & 20 dB	±0.5 dB	±0.75 dB	±1.00 dB
30 dB	±0.75 dB	±1.00 dB	±1.25 dB
40 dB	±1.00 dB	±1.25 dB	±1.50 dB
50 dB	±1.25 dB	NA	NA

VSWR	
DC - 6 GHz	1.20:1 MAX
6 - 12.4 GHz	1.30:1 MAX
12.4 - 18 GHz	1.40:1 MAX
INPUT POWER	25 WATTS AVG. @ 25°C
DERATED LINEARLY TO 10 WATTS @ 125°C	
PEAK POWER	500 WATTS
(5µSec PULSE, 0.05% DUTY CYCLE)	
IMPEDANCE	50 OHMS
OPERATING TEMP RANGE	-65°C TO +125°C

MECHANICAL

TYPE N CONNECTORS	PASSIVATED STAINLESS STEEL
CONDUCTORS	GOLD PLATED BERYLLIUM COPPER
HOUSING	BLACK ANODIZED ALUMINUM

ORDERING INFORMATION

3082-6525-FQ-DB	TYPE N MALE INPUT TO FEMALE OUTPUT
3081-6525-FQ-DB	TYPE N MALE INPUT TO MALE OUTPUT
3080-6525-FQ-DB	TYPE N FEMALE INPUT TO FEMALE OUTPUT
3082-6525-FQ-FM-DB	TYPE N FEMALE INPUT TO MALE OUTPUT

TO DESIGNATE MAX FREQUENCY REPLACE "-FQ" WITH:
 '-06" = 6 GHz; '-12" = 12.4 GHz; '-18" = 18 GHz

THIS 25 WATT UNIT IS AVAILABLE WITH:
 SMA, TNC, AND DIN 7/16 CONNECTORS
 AND AS AN TERMINATION - CONTACT YOUR
 REPRESENTATIVE FOR ORDERING INFORMATION

ORDERING EXAMPLES

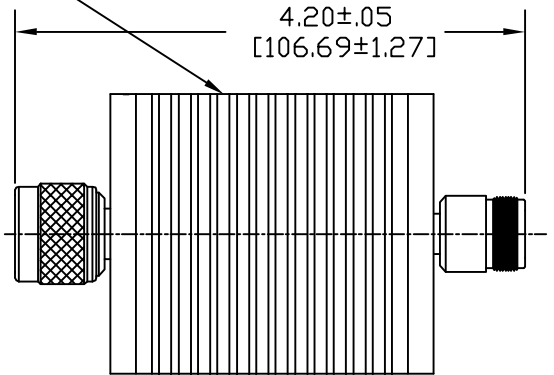
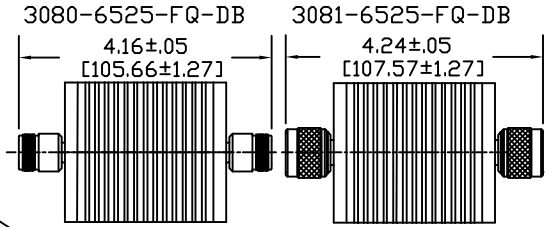
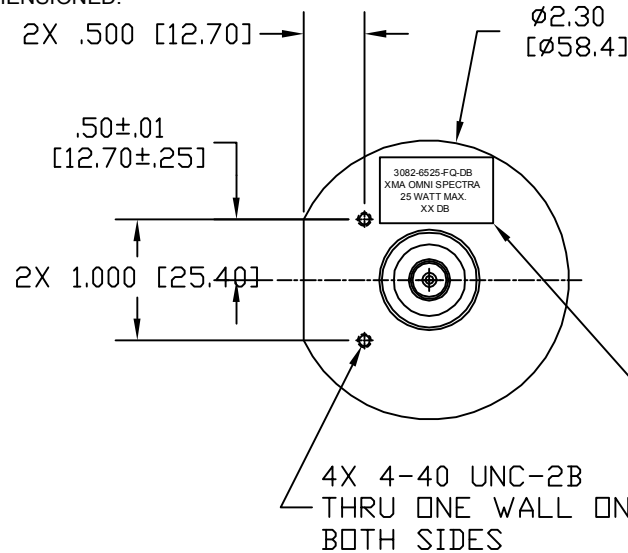
- A 10dB UNIT MALE TO FEMALE FOR 6 GHz WOULD BE 3082-6525-06-10
- A 20dB UNIT MALE TO MALE FOR 18 GHz WOULD BE 3081-6525-18-20
- A 3dB UNIT FEMALE TO MALE FOR 12 GHz WOULD BE 3082-6525-12-FM-03

NOTES:

- UNIT IS BIDIRECTIONAL.
- 50 dB UNIT IS AVAILABLE TO 6GHZ ONLY.

REVISIONS				
REV	DESCRIPTION	ECD #	DATE	APPROVED
C	RELEASED		7/21/11	D. SAUNDERS
D	CHANGED HOUSING SIDE VIEWS	13-018	1/25/13	T. KUHN

QUANTITY OF HEATSINK FINS, THICKNESS AND FIN SPACING MAY VARY WITHOUT NOTICE. BASIC SHAPE & OTHER PARAMETERS SHALL REMAIN AS DIMENSIONED.



Standard Is METALIZED
 MYLAR LABEL (2 MIN.)
 AFFIXED PERMANENTLY
 FOR INFO & IDENTIFICATION

DRAWING PRACTICES PER ANSI-Y-14.5 ML-STD-100 & 1000	UNLESS OTHERWISE SPECIFIED TOLERANCES IN:	DRAWN D. SAUNDERS 07/14/11	DATE 07/14/11
DIMENSIONS ARE IN INCHES AND APPLY BEFORE/AFTER PROCESSING	DECIMALS INCH DWG	CHECKED D. SAUNDERS 07/14/11	DATE 07/14/11
SURFACE ROUGHNESS INCHES	.X" .03" [.76] .XX" .010" [.25] .XXX" .005 [.127] .XXXX" .0005" [.013]	ENG APPR. D. SAUNDERS 07/14/11	DATE 07/14/11
FINISH	ANGLES ±0°30'	THESE DRAWINGS AND SPECIFICATIONS ARE THE PROPERTY OF XMA CORP. OR OMNI SPECTRA AND SHALL NOT BE REPRODUCED, COPIED NOR USED - IN WHOLE OR IN PART - AS A BASIS FOR THE MANUFACTURE OR SALE OF OTHER ITEMS WITHOUT THE EXPRESS WRITTEN PERMISSION OF XMA CORP.	
MATERIAL	REMOVE ALL BURRS/SHARP W/ BREAK / R OF .003" TO .0005" UNLESS OTHERWISE NOTED DIAS CONCENTRIC <.003 T.I.R.	TITLE OUTLINE DRAWING, ATTENUATOR, 25 W, TYPE N M/F, UP TO 18 GHz	
SEE NOTES	DO NOT SCALE PRINT	SIZE B	CAGE CODE 3HT76
NOTE: THIS DRAWING INCORPORATES THIRD ANGLE PROJECTION.		DRAWING NUMBER 308X-6525-FQ-DB	REV D
INTERPRET IAW ANSI Y14.5-1982		SCALE 1:1	PLATED AREA SQ. IN XXX SHEET 1 OF 1

XMA Powered by: Omni Spectra®
 Phone: 603-222-2256 Fax: 603-222-2259
 150 Dow Street, Manchester, NH 03101