

SPECIFICATIONS

ELECTRICAL

FREQUENCY RANGE _____ DC - 6GHz, 12.4GHz & 18GHz

AVAILABLE dB VALUES _____ 3, 6, 10 - 50 dB (IN 10 dB INCREMENTS)

ATTENUATION ACCURACY _____ DC-6GHz 6-12.4GHz 12.4-18GHz
 3 & 6 dB _____ ±0.75 dB ±0.75 dB ±0.75 dB
 10 & 20 dB _____ ±0.75 dB ±0.75 dB ±1.00 dB
 30 dB _____ ±0.75 dB ±1.00 dB ±1.25 dB
 40 dB _____ ±1.00 dB ±1.25 dB ±1.50 dB
 50 dB _____ ±1.25 dB ±2.00 dB ±2.50 dB

VSWR _____
 DC - 6 GHz _____ 1.25:1 MAX
 6 - 12.4 GHz _____ 1.35:1 MAX
 12.4 - 18 GHz _____ 1.45:1 MAX

INPUT POWER _____ 50 WATTS AVG. @ 25°C
 DERATED LINEARLY TO 10 WATTS @ 125°C

PEAK POWER _____ 500 WATTS
 (5uSec PULSE, .05% DUTY CYCLE)

IMPEDANCE _____ 50 OHMS

OPERATING TEMP RANGE _____ -65°C TO +125°C

MECHANICAL

CONNECTORS _____ PASSIVATED STAINLESS STEEL

CONDUCTORS _____ GOLD PLATED BERYLLIUM COPPER

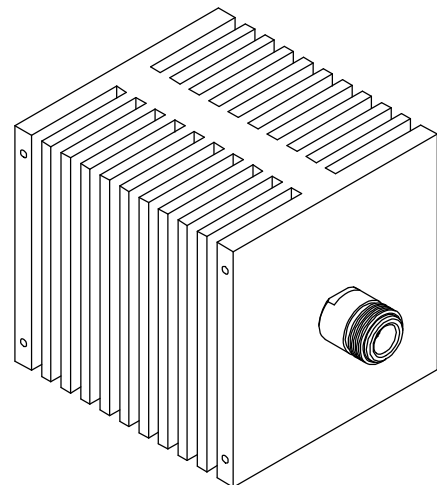
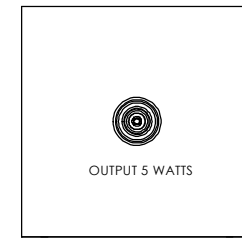
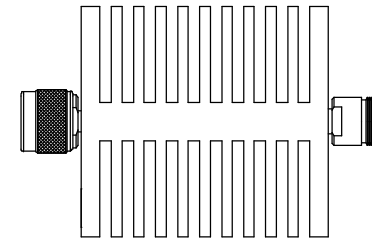
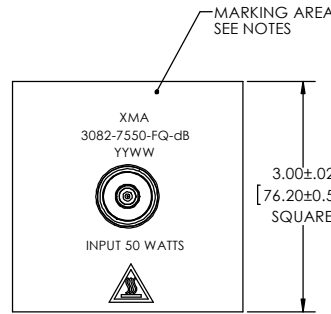
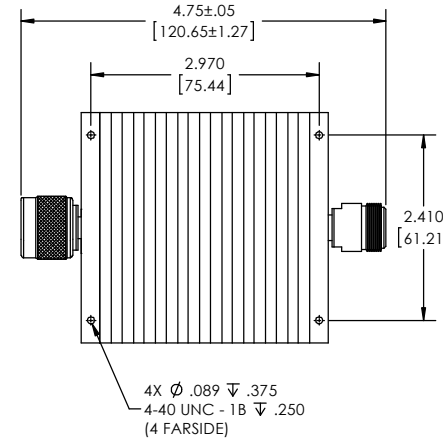
HOUSING _____ BLACK ANODIZED ALUMINUM

NOTES: UNIT IS UNIDIRECTIONAL, THE INPUT CONNECTOR WILL BE MARKED ACCORDINGLY. THE OUTPUT PORT HANDLES 5 WATTS MAX POWER.

MARKING

PART LOOKS LIKE PRODUCT IMAGE ABOVE.
 PART MARKING ORIENTATION AND FORMAT AS SHOWN.
 MARKING TO BE AS LARGE AS POSSIBLE BE CLEAR, READABLE.
 REPLACE "dB" WITH THE TWO DIGIT dB VALUE SPECIFIED ON WORK ORDER.
 REPLACE "FQ" WITH THE TWO DIGIT FREQUENCY VALUE SPECIFIED ON WORK ORDER.
 YYYY = DATE CODE.

REVISIONS				
REV	DESCRIPTION	ECO #	DATE	APPROVED
B1	ADDED 50-100 dB		8/3/09	T.KUHN
C	REMOVED 50-100 dB, NEW FORMAT	15-034	2/13/13	T.KUHN
D	ADDED HEAT SYMBOL	15-239	8/4/15	T.KUHN
E	ADDED 50 dB	15-312	10/20/13	T.KUHN



QTY.	PART NUMBER	DESCRIPTION	ITEM NO.
X	3082-7550-FQ-dB	ATTENUATOR, N-m/f, DC-18GHz, 50W	
1	TA-3082-7550-FQ-dBU	ASSEMBLY, ATTENUATOR, N-m/f, DC-18GHz, 50W, UNMARKED	1

DRAWING PRACTICES PER ANSI Y14.5 DIMENSIONS ARE IN INCHES AND APPLY BEFORE/AFTER PROCESSING SURFACE ROUGHNESS $\sqrt{63}$ FINISH: SEE NOTES MATERIAL: REMOVE ALL BURRS/SHARP W/ BREAK / R OF .003" TO .0005" NOTE: THIS DRAWING INCORPORATES THIRD ANGLE PROJECTION. INTERPRET LAW ANSI Y14.5-1982	UNLESS OTHERWISE SPECIFIED TOLERANCES IN: DECIMALS INCH (MM) .X" .05" [1.27] .XX" .03" [.76] .XXX" .010" [.25]	DRAWN DATE T.KUHN 3/7/07 CHECKED DATE ENG APPR. DATE T.KUHN 11/7/08
-------------------------------------------------------------------------------------------------------------------------------------------------------------------------------------------------------------------------------------------------------------------------------------------------------------------------------	----------------------------------------------------------------------------------------------------------------------------	---------------------------------------------------------------------------------

THESE DRAWINGS AND SPECIFICATIONS ARE THE PROPERTY OF XMA CORP. OR OMNI SPECTRA AND SHALL NOT BE REPRODUCED, COPIED NOR USED IN WHOLE OR IN PART AS A BASIS FOR THE MANUFACTURE OR SALE OF OTHER ITEMS WITHOUT THE EXPRESS WRITTEN PERMISSION OF XMA CORP.

Phone: 603-222-2256 Fax: 603-222-2259 150 Dow Street, Manchester, NH 03103			
ATTENUATOR, N-m/f, DC-18GHz, 50W			
SIZE	CAGE CODE	DRAWING NUMBER	REV
C	3HT76	3082-7550-FQ-dB	E
SCALE	PLATED AREA 50 IN	SHEET 1 OF 1	