

5

4

3

2

1

ELECTRICAL

SPECIFICATIONS

FREQUENCY RANGE _____ DC TO 18 GHz

ATTENUATION (FREQ. IN GHz) DC-12.4 12.4-18
0-6 dB ±0.3 dB ±0.5 dB
7-12, 15 & 20 dB ±0.5 dB ±0.75 dB
30 & 40 dB ±0.75 dB ±1.00 dB

VSWR(MAX) DC - 4 GHz 1.15:1
4 - 12.4 GHz 1.25:1
12.4 - 18 GHz 1.40:1

POWER 10 WATTS (AVG)
Derates Linearly from +25°C to 10% at +125°C

POWER, PEAK 500 WATTS
5m S PULSE WIDTH, 0.2% DUTY CYCLE

IMPEDANCE: 50 OHMS

OPERATING TEMP RANGE -65 TO +125°

ENVIRONMENTAL CAPABILITIES MIL-DTL-3933A/16 TYPE DEVICES

MATERIALS

OUTER CONDUCTOR: PASSIVATED STAINLESS STEEL IAW ASTM A484 & A582, CLASS 303

HEAT SINK: BLACK ANODIZED ALUMINUM

CENTER CONDUCTOR: GOLD PLATED (ASTM-B488/MIL-PRF-39012) BERYLLIUM COPPER PER ASTM B196 & B197

DIELECTRIC: TEFLON (PTFE) PER ASTM D1710.

ATTENUATOR CARD: PROPRIETARY THIN FILM, PASSIVATION PROTECTED, ON ALUMINUM NITRIDE CERAMIC HYBRID

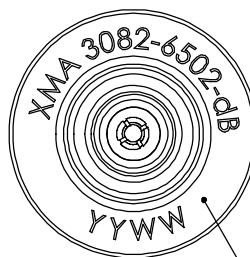
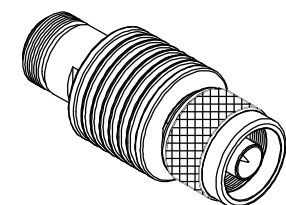
WEIGHT: 2.7 OZ. [77 GRAMS] MAX.

MARKING

PART LOOKS LIKE PRODUCT IMAGE ABOVE. PART MARKING ORIENTATION AND FORMAT AS SHOWN. dB TO BE REPLACED WITH THE TWO DIGIT dB VALUE ON THE WORK ORDER. EX: 2 dB = 02, 10dB = 10, 20dB = 20 LASER MARKING TO BE AS LARGE AS POSSIBLE, CLEAR, READABLE. YYWW EQUALS DATE CODE.

Table with 4 columns: DASH NO, NOM dB, DASH NO, NOM dB. Rows -01 to -08.

Table with 5 columns: REV, DESCRIPTION, ECO #, DATE, APPROVED. Rows G, H, J.



MARKING AREA SEE NOTES

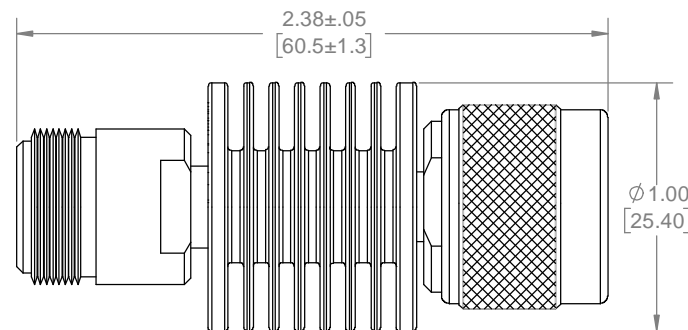


Table with 4 columns: QTY., PART NUMBER, DESCRIPTION, ITEM NO. Rows X, 1.

DRAWING PRACTICES PER ANSI-Y-14.5 MIL-STD-100 & 1000 DIMENSIONS ARE IN INCHES AND APPLY BEFORE / AFTER PROCESSING SURFACE ROUGHNESS 63 FINISH: MATERIAL: NOTE: THIS DRAWING INCORPORATES THIRD ANGLE PROJECTION. INTERPRET IAW ANSI Y14.5-1982

UNLESS OTHERWISE SPECIFIED TOLERANCES IN: DECIMALS INCH (MM) .X* .05" [1.27] .XX* .03" [.76] .XXX* .010" [.25] ANGLES ±0°30' REMOVE ALL BURRS/SHARP W/ BREAK / R OF .003" TO .0005" UNLESS OTHERWISE NOTED DIAS CONCENTRIC <.003 T.I.R. DO NOT SCALE PRINT

DRAWN DATE McCORMICK 6/16/15 CHECKED DATE McCORMICK 6/16/15 ENG. APPR. DATE T.KUHN 6/16/15

Complex block containing XMA logo, title 'ATTENUATOR, TYPE N-m/f, DC-18GHz, 10W', and drawing number '3082-6502-dB'.

5

4

3

2

1