

ELECTRICAL SPECIFICATIONS

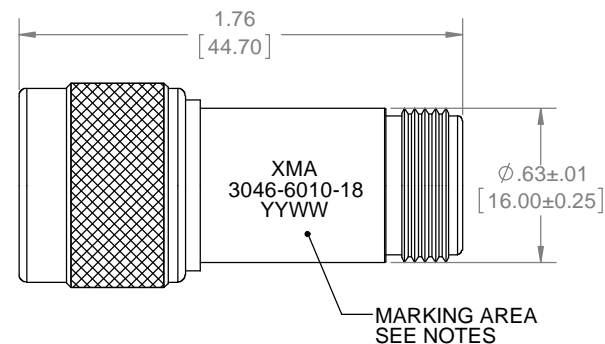
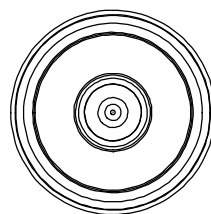
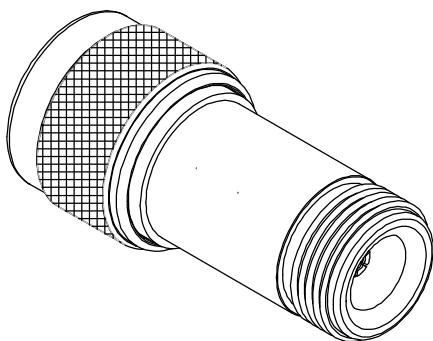
FREQUENCY RANGE _____ 10MHz - 18GHz
 INSERTION LOSS _____ 0.8dB MAX
 VSWR _____ 1.35:1 MAX
 VOLTAGE RATING _____ 200 VOLTS (INNER ONLY)
 POWER _____ <2 WATT RECOMMENDED
 IMPEDANCE _____ 50 OHMS
 OPERATING TEMP RANGE _____ -65°C TO +125°C

MECHANICAL

HOUSING _____ PASSIVATED STAINLESS STEEL IAW ASTM-A484 & ASTM-A582 ALLOY 303 COND A
 CENTER CONDUCTORS _____ GOLD PLATED BERYLLIUM COPPER
 CONNECTOR INTERFACE COMPLIES WITH MIL-PRF-39012 AND MIL-STD-348

MARKING

PART LOOKS LIKE PRODUCT IMAGE.
 PART MARKING ORIENTATION AND FORMAT AS SHOWN.
 MARKING TO BE AS LARGE AS POSSIBLE, CLEAR, AND READABLE.
 YYYY = DATE CODE.



REVISIONS				
REV	DESCRIPTION	ECO #	DATE	APPROVED
D	DRAWN INTO CAD		3/31/10	T.KUHN
E	UPDATED FORMAT/ADDED MARKING	14-395	11/24/14	T.KUHN
F	CORRECTED LENGTH	16-041	2/29/16	T.KUHN
G	INSERTION LOSS WAS 0.6dB	16-098	4/29/16	T.KUHN

QTY.	PART NUMBER	DESCRIPTION	ITEM NO.
X	3046-6010-18	DC BLOCK, TYPE N-m/f, DC-18GHz, 2W	
1	TA-3046-6010-18U	ASSY, DC BLOCK, TYPE N-m/f, DC-18GHz, 2W, UNMARKED	1

DRAWING PRACTICES PER ANSI-Y-14.5 MIL-STD-100 & 1000

DIMENSIONS ARE IN INCHES AND APPLY BEFORE / AFTER PROCESSING

SURFACE ROUGHNESS $\sqrt{63}$ μ INCHES

FINISH:

MATERIAL:

NOTE: THIS DRAWING INCORPORATES THIRD ANGLE PROJECTION.

INTERPRET IAW ANSI Y14.5-1982

UNLESS OTHERWISE SPECIFIED TOLERANCES IN:

DECIMALS	INCH	[MM]
.X"	.05"	[1.27]
.XX"	.03"	[.76]
.XXX"	.010"	[.25]

ANGLES $\pm 0^{\circ}30'$

REMOVE ALL BURRS/SHARP W/ BREAK / R OF .003" TO .0005" UNLESS OTHERWISE NOTED


DIAS CONCENTRIC <.003 T.I.R.

DO NOT SCALE PRINT

DRAWN DATE
 McCORMICK 11/24/14

CHECKED DATE
 McCORMICK 11/24/14

ENG. APPR. DATE
 T.KUHN 11/24/14



Phone: 603-222-2256 Fax: 603-222-2259
 150 Dow Street, Manchester, NH 03101

TITLE
DC BLOCK, TYPE N-m/f, DC-18GHz, 2W

SIZE B	CAGE CODE 3HT76	DRAWING NUMBER 3046-6010-18	REV G
SCALE	PLATED AREA SQ. IN	SHEET 1 OF 1	

5 4 3 2 1