

SPECIFICATIONS

ELECTRICAL

FREQUENCY _____ 10 MHz TO 18 GHz
 INSERTION LOSS _____ 0.75 dB MAX
 VSWR _____ 1.35:1 MAX
 IMPEDANCE _____ 50 OHMS
 VOLTAGE RATING _____ 200 VOLTS (INNER/OUTER)
 OPERATING TEMP _____ -65°C TO +125°C

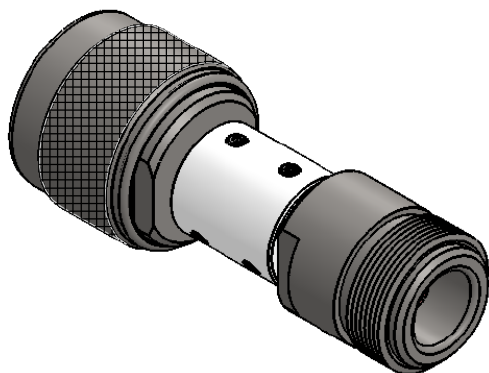
MECHANICAL

CONNECTORS _____ STAINLESS STEEL, PASSIVATED
 CONTACT _____ BERYLLIUM COPPER, GOLD PLATED
 DIELECTRIC _____ HIGH TEMP PLASTIC

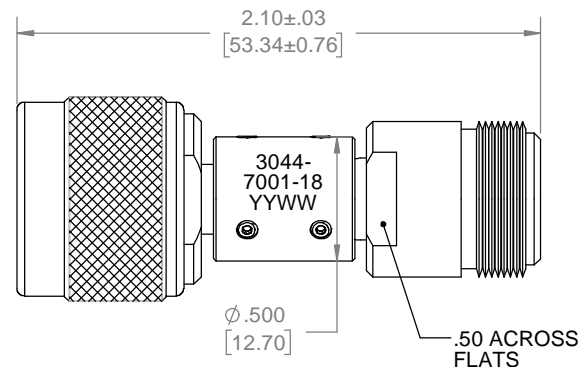
RoHS COMPLIANT DEVICE

MARKING:

PART LOOKS LIKE PRODUCT IMAGE ABOVE.
 PART MARKING ORIENTATION AND FORMAT AS SHOWN.
 MARKING TO BE AS LARGE AS POSSIBLE, CLEAR, AND READABLE.
 YYWW EQUALS DATE CODE



REVISIONS				
REV	DESCRIPTION	ECO #	DATE	APPROVED
A	CHANGED LENGTH TO 2.10		7/22/09	T.KUHN
B	CHANGED TITLEBLOCK/TOLERANCES	14-350	10/14/14	T.KUHN
C	ADDED RoHS STATEMENT	16-214	10/21/16	T.KUHN
D	INSERTION LOSS WAS .5dB	17-119	7/27/17	T.KUHN



QTY.	PART NUMBER	DESCRIPTION	ITEM NO.
X	3044-7001-18	DC BLOCK, N-m/f, 0.01 - 18GHz, 200V	
1	TA-3044-7001-18U	ASSEMBLY, DC BLOCK, N-m/f, 0.01 - 18GHz, 200V, UNMARKED	1

DRAWING PRACTICES PER ANSI-Y-14.5 MIL-STD-100 & 1000
 DIMENSIONS ARE IN INCHES AND APPLY BEFORE / AFTER PROCESSING
 SURFACE ROUGHNESS $\sqrt{63}$ μ INCHES
 FINISH:
 SEE NOTES
 MATERIAL:
 SEE NOTES
 NOTE:
 THIS DRAWING INCORPORATES THIRD ANGLE PROJECTION.
 INTERPRET IAW ANSI Y14.5-1982

UNLESS OTHERWISE SPECIFIED TOLERANCES IN:
 DECIMALS INCH [MM]
 .X" .05" [1.27]
 .XX" .03" [.76]
 .XXX" .010" [.25]
 ANGLES $\pm 0^{\circ}30'$
 REMOVE ALL BURRS/SHARP W/ BREAK / R OF .003" TO .0005"
 UNLESS OTHERWISE NOTED DIAS CONCENTRIC <.003 T.I.R.
 DO NOT SCALE PRINT

DRAWN DATE
 T.KUHN 08/03/09
 CHECKED DATE
 ENG. APPR. DATE
 T.KUHN 08/03/09
 THESE DRAWINGS AND SPECIFICATIONS ARE THE PROPERTY OF XMA CORP. OR OMNI SPECTRA AND SHALL NOT BE REPRODUCED, COPIED NOR USED - IN WHOLE OR IN PART - AS A BASIS FOR THE MANUFACTURE OR SALE OF OTHER ITEMS WITHOUT THE EXPRESS WRITTEN PERMISSION OF XMA CORP.

Phone: 603-222-2256 Fax: 603-222-2259
 150 Dow Street, Manchester, NH 03101
 TITLE
 DC BLOCK, N-m/f, 0.01 - 18GHZ, 200V

SIZE	CAGE CODE	DRAWING NUMBER	REV
B	3HT76	3044-7001-18	D
SCALE	PLATED AREA SQ. IN	SHEET 1 OF 1	