

**ELECTRICAL**

FREQUENCY RANGE \_\_\_\_\_ DC - 26.5 GHz

ATTENUATION ACCURACY ACROSS FREQUENCY RANGE

0 - 10 dB \_\_\_\_\_ ±0.50 dB  
 11 - 20dB \_\_\_\_\_ ±1.0 dB  
 21 - 30 dB \_\_\_\_\_ ±1.50 dB

VSWR

DC - 18 GHz \_\_\_\_\_ 1.35:1 MAX  
 18 - 26.5 GHz \_\_\_\_\_ 1.50:1 MAX

INPUT POWER \_\_\_\_\_

2 WATTS AVG. @ 25°C  
 DERATES LINEARLY TO 10% @ 125°C FROM 25°C

PEAK POWER \_\_\_\_\_

500 WATTS  
 (5mSec PULSE WIDTH, .05% DUTY CYCLE)

IMPEDANCE \_\_\_\_\_

50 OHMS

OPERATING TEMP RANGE \_\_\_\_\_

4 KELVIN TO +125°C

CONFORMANCE TESTING IS 100% ATTENUATION AND V.S.W.R. ACROSS SWEPT FREQUENCY RANGE AT 20-25°C

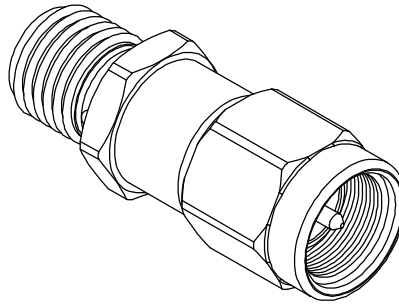
**MECHANICAL**

CONNECTOR BODIES \_\_\_\_\_ PASSIVATED STAINLESS STEEL  
 CENTER CONDUCTORS \_\_\_\_\_ GOLD PLATED BERYLLIUM COPPER  
 INSULATORS \_\_\_\_\_ PTFE (TEFLON) IAW ASTM-D1710  
 RESISTIVE ELEMENT \_\_\_\_\_ THIN FILM ON CERAMIC RESISTIVE CIRCUIT  
 NOT A HERMETIC SEALED UNIT  
 RECOMMENDED CONNECTION TORQUE IS 7-8 in./Lbs. (0.8 to 0.9 Nm)

MATERIALS, ENVIRONMENTAL PERFORMANCE & FINISHES COMPLY TO MIL-DTL-3933

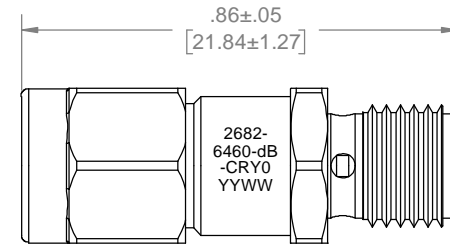
**MARKING**

PART LOOKS LIKE PRODUCT IMAGE ABOVE.  
 PART MARKING ORIENTATION AND FORMAT AS SHOWN.  
 MARKING TO BE AS LARGE AS POSSIBLE BE, CLEAR, READABLE.  
 "-dB" TO BE REPLACED WITH TWO DIGIT dB VALUE SPECIFIED ON WORK ORDER  
 YYWW = DATE CODE.

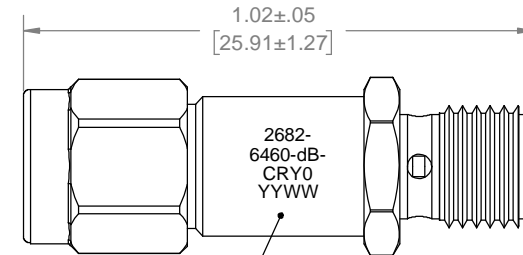


REVISIONS				
REV	DESCRIPTION	ECO #	DATE	APPROVED
A	NOT ROHS COMPLIANT	20-075	5/27/20	T.KUHN
B	CORRECT P/N IN BOM	20-097	7/8/20	M.HIGGINS
C	0-10 dB ±0.50 dB	20-162	10/8/20	MH
D	ADDED 0dB TO TABLE	21-005	1/19/21	JIM W

**0dB - 12dB**



**13dB - 40dB**



MARKING AREA  
SEE NOTE

PART NO	ATTENUATION
2682-6460-00-CRYO	0dB
2682-6460-01-CRYO	1dB
2682-6460-03-CRYO	3dB
2682-6460-05-CRYO	5dB
2682-6460-06-CRYO	6dB
2682-6460-10-CRYO	10dB
2682-6460-12-CRYO	12dB
2682-6460-15-CRYO	15dB
2682-6460-20-CRYO	20dB
2682-6460-30-CRYO	30dB

QTY.	PART NUMBER	DESCRIPTION	ITEM NO.
X	2682-6460-dB-CRYO	ATTENUATOR, SMA-m/f, DC-26.5GHz, 2W	
1	TA-2682-6460-dBU-CRYO	ASSY, ATTENUATOR, SMA-m/f, DC-26.5GHz, 2W, CRYO, UNMARKED	1

DRAWING PRACTICES PER ANSI-Y-14.5 MIL-STD-100 & 1000  
 DIMENSIONS ARE IN INCHES AND APPLY BEFORE / AFTER PROCESSING  
 SURFACE ROUGHNESS  $\mu$ INCHES 63  
 FINISH:  
 SEE NOTES  
 MATERIAL:  
 SEE NOTES  
 NOTE:  
 THIS DRAWING INCORPORATES THIRD ANGLE PROJECTION.  
 INTERPRET IAW ANSI Y14.5-1982

UNLESS OTHERWISE SPECIFIED TOLERANCES IN:  
 DECIMALS INCH [MM]  
 .X" .05" [1.27]  
 .XX" .03" [.76]  
 .XXX" .010" [.25]  
 ANGLES ±0°30'  
 REMOVE ALL BURRS/SHARP W/ BREAK / R OF .003" TO .0005" UNLESS OTHERWISE NOTED DIAS CONCENTRIC <.003 T.I.R.  
 DO NOT SCALE PRINT

DRAWN DATE  
 MCCORMICK 7/24/14  
 CHECKED DATE  
 MCCORMICK 7/24/14  
 ENG. APPR. DATE  
 T.KUHN 7/24/14

THESE DRAWINGS AND SPECIFICATIONS ARE THE PROPERTY OF XMA CORP. OR OMNI SPECTRA AND SHALL NOT BE REPRODUCED, COPIED NOR USED - IN WHOLE OR IN PART - AS A BASIS FOR THE MANUFACTURE OR SALE OF OTHER ITEMS WITHOUT THE EXPRESS WRITTEN PERMISSION OF XMA CORP.

**XMA** Omni Spectra  
 Phone: 603-222-2256 Fax: 603-222-2259  
 150 Dow Street, Manchester, NH 03101

ATTENUATOR, SMA, M/F, DC-26.5GHz, 2 WATT

SIZE	CAGE CODE	DRAWING NUMBER	REV
B	3HT76	2682-6460-dB-CRYO	D
SCALE	PLATED AREA SQ. IN	SHEET 1 OF 1	