

5

4

3

2

1

**PRODUCTION  
RELEASE**

NOTE:  
THIS DRAWING INCORPORATES  
THIRD ANGLE PROJECTION.  
INTERPRET IAW ANSI Y14.5-1992

REVISIONS

| LTR | DESCRIPTION | DATE    | APPROVED |
|-----|-------------|---------|----------|
| -   | RELEASED    | 4/14/09 | TAK      |

**SPECIFICATIONS**

**ELECTRICAL**

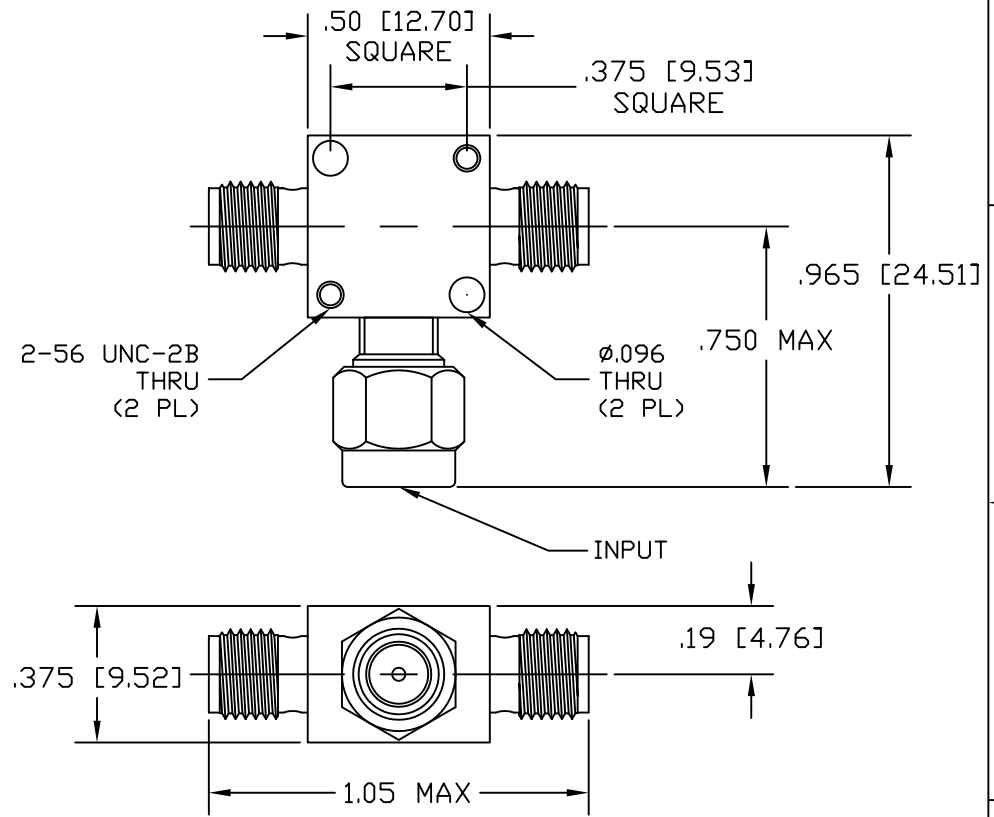
FREQUENCY RANGE \_\_\_\_\_ DC-6 GHz  
 VSWR \_\_\_\_\_  
 INPUT PORT \_\_\_\_\_ 1.30:1 MAX.  
 OUTPUT PORTS \_\_\_\_\_ < 1.45:1 TYP.  
 INPUT POWER \_\_\_\_\_ 2 WATT AVG. @ 25°C  
 \_\_\_\_\_ DERATED LINEARLY TO 10% @ 125°C  
 IMPEDANCE \_\_\_\_\_ 50 OHMS  
 INSERTION LOSS \_\_\_\_\_ 6 dB NOM  
 PHASE TRACKING \_\_\_\_\_ ±1°  
 (between output ports)  
 AMPLITUDE TRACKING \_\_\_\_\_ 0.3dB  
 (between output ports)  
 OPERATING TEMP RANGE \_\_\_\_\_ -65°C TO +125°C

**MECHANICAL**

SMA CONNECTORS \_\_\_\_\_ PASSIVATED STAINLESS STEEL  
 CONDUCTORS \_\_\_\_\_ GOLD PLATED BERYLLIUM COPPER  
 HOUSING \_\_\_\_\_ TRI METAL PLATED BRASS

**ORDERING INFORMATION**

| -XXX | INPUT PORT | OUTPUT PORTS |
|------|------------|--------------|
| -000 | FEMALE     | FEMALE       |
| -111 | MALE       | MALE         |
| -100 | MALE       | FEMALE       |
| -011 | FEMALE     | MALE         |



NOTE: OUTPUTS ARE SYMMETRICAL TO INPUT

|   |  |  |                  |
|---|--|--|------------------|
| DRAWING PRACTICES PER ANSI-Y-14.5<br>MIL-STD-100 & 1000       | UNLESS OTHERWISE SPECIFIED<br>TOLERANCES IN:<br>DECIMALS INCH DIM  | DRAWN<br>T. KUHN   | DATE<br>10/23/08 |
| DIMENSIONS ARE IN INCHES AND<br>APPLY BEFORE/AFTER PROCESSING | .X" .03" [.76]<br>.XX" .010" [.25]<br>.XXX" .005 [.127]<br>.XXXX" .0005" [.013]  | CHECKED  | DATE             |
| SURFACE<br>ROUGHNESS<br>INCHES 63 ✓                           | ANGLES ±0°30'<br>REMOVE ALL BURRS/SHARP W/<br>BREAK / R OF .003" TO .0005"<br>UNLESS OTHERWISE NOTED<br>DIAS CONCENTRIC <.003 T.I.R. | ENGINEER APPR.   | DATE             |
| FINISH<br>SEE NOTES   |  | THESE DRAWINGS AND<br>SPECIFICATIONS ARE THE PROPERTY<br>OF XMA CORP. OR OMNI SPECTRA<br>AND SHALL NOT BE REPRODUCED,<br>COPIED NOR USED - IN WHOLE OR IN<br>PART - AS A BASIS FOR THE<br>MANUFACTURE OR SALE OF OTHER<br>ITEMS WITHOUT THE EXPRESS<br>WRITTEN PERMISSION OF XMA CORP. |                  |
| MATERIAL<br>SEE NOTES   |  | DRAWING NUMBER<br>20RP-6006-XXX  |                  |

**XMA** Powered by:  
**Omni Spectra®**  
 Phone: 603-222-2256 Fax: 603-222-2259  
 150 Dow Street, Manchester, NH 03101

|   |                       |                                 |              |
|---|-----------------------|---------------------------------|--------------|
| TITLE<br><b>OUTLINE DRAWING, RESISTIVE<br/>POWER DIVIDER, DC-6 GHz, SMA</b> |                       |                                 |              |
| SIZE<br>B   | CAGE CODE<br>3HT76    | DRAWING NUMBER<br>20RP-6006-XXX |              |
| SCALE 1:1   | PLATED<br>AREA SQ. IN | XXX                             | SHEET 1 OF 1 |

5

4

3

2

1

BCSI