

4

3

2

1

### SPECIFICATIONS

#### ELECTRICAL

FREQUENCY RANGE \_\_\_\_\_ DC - 18GHz

AVAILABLE dB VALUES \_\_\_\_\_ 3, 6, 10, 20, 30, 40dB

ATTENUATION ACCURACY _____ DC - 6 GHz	6 - 12.4 GHz	12.4 - 18 GHz
1-6 dB _____ ±0.3 dB	±0.5 dB	±0.75 dB
7-10, & 20 dB _____ ±0.5 dB	±0.75 dB	±1.00 dB
30 dB _____ ±0.75 dB	±1.00 dB	±1.25 dB
40 dB _____ ±1.00 dB	±1.25 dB	±1.50 dB

VSWR

DC - 6 GHz _____	1.20:1 MAX
6 - 12.4 GHz _____	1.30:1 MAX
12.4 - 18 GHz _____	1.40:1 MAX

INPUT POWER \_\_\_\_\_ 25 WATTS AVG. @ 25°C  
DERATED LINEARLY TO 10 WATTS @ 125°C

PEAK POWER \_\_\_\_\_ 500 WATTS  
(5uSec PULSE, .05% DUTY CYCLE)

IMPEDANCE \_\_\_\_\_ 50 OHMS

OPERATING TEMP RANGE \_\_\_\_\_ -65°C TO +125°C

#### MECHANICAL

CONNECTORS \_\_\_\_\_ PASSIVATED STAINLESS STEEL

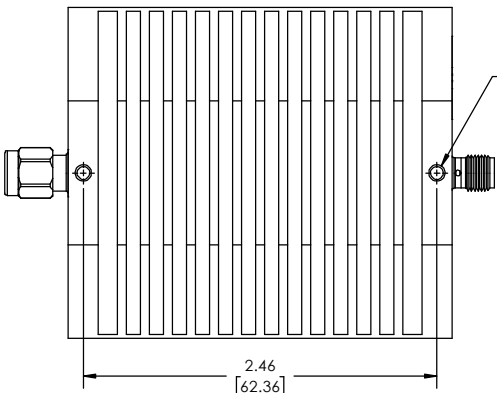
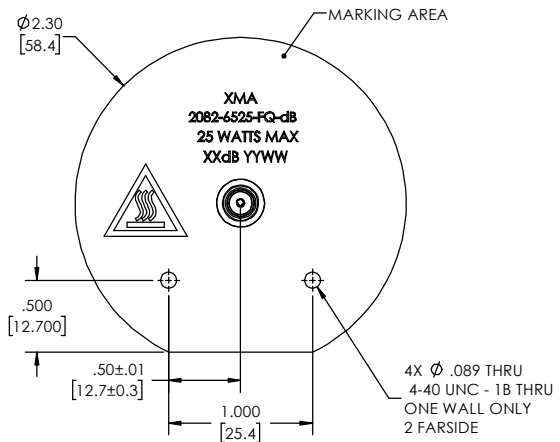
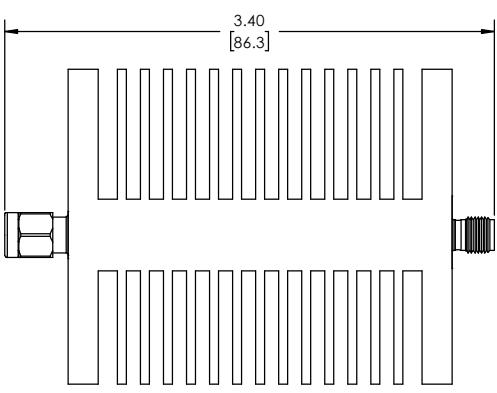
CONDUCTORS \_\_\_\_\_ GOLD PLATED BERYLLIUM COPPER

HOUSING \_\_\_\_\_ BLACK ANODIZED ALUMINUM

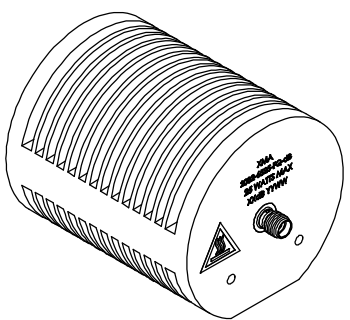
#### MARKING

PART LOOKS LIKE PRODUCT IMAGE ABOVE.  
PART MARKING ORIENTATION AND FORMAT AS SHOWN.  
MARKING TO BE AS LARGE AS POSSIBLE BE, CLEAR, READABLE.  
REPLACE "XX" WITH THE TWO DIGIT dB VALUE SPECIFIED ON WORK ORDER.

REVISIONS				
REV	DESCRIPTION	ECO #	DATE	APPROVED
-	INITIAL RELEASE		17-178 11/15/17	T.KUHN



2X Ø .089  $\nabla$  .349  
4-40 UNC - 1B  $\nabla$  .224



QTY.	PART NUMBER	DESCRIPTION	ITEM NO.
X	2082-6525-FQ-dB	ATTENUATOR, SMA-m/f, DC-18 GHz, 25W	
1	TA-2082-6525-FQ-DBU	ASSY, ATTENUATOR, SMA-m/f, DC-18 GHz, 25W, UNMARKED	1

DRAWING PRACTICES PER ANSI Y14.5 DIMENSIONS ARE IN INCHES AND APPLY BEFORE/AFTER PROCESSING SURFACE ROUGHNESS: 63 FINISH:	UNLESS OTHERWISE SPECIFIED TOLERANCES IN: DECIMALS INCH (MM) .X" .05" [1.27] .XX" .03" [.76] .XXX" .010" [.25]	DRAWN: MCCORMICK 6/12/17 DATE: 6/12/17 CHECKED: MCCORMICK 6/12/17 DATE: 6/12/17 ENG APPR: T.KUHN 6/12/17
MATERIAL: NOTE: THIS DRAWING INCORPORATES THIRD ANGLE PROJECTION.	ANGLES ±0°30' REMOVE ALL BURRS/SHARP W/ BREAK / R OF .003" TO .0005" UNLESS OTHERWISE NOTED DIAS CONCENTRIC <.003 T.I.R.	THESE DRAWINGS AND SPECIFICATIONS ARE THE PROPERTY OF XMA CORP. OR OMNI SPECTRA AND SHALL NOT BE REPRODUCED, COPIED NOR USED IN WHOLE OR IN PART AS A BASIS FOR THE MANUFACTURE OR SALE OF OTHER ITEMS WITHOUT THE EXPRESS WRITTEN PERMISSION OF XMA CORP.
INTERPRET LAW ANSI Y14.5-1982	DO NOT SCALE PRINT	

**XMA** Omni Spectra<sup>®</sup>

Phone: 603-222-2256 Fax: 603-222-2259  
7 Perimeter Road, Manchester, NH 03103

ATTENUATOR, SMA-m/f, DC-18 GHz, 25W

SIZE	CAGE CODE	DRAWING NUMBER	REV
C	3HT76	2082-6525-FQ-dB	-

SCALE: PLATED AREA 50 IN SHEET 1 OF 1

4

3

2

1