

4

3

2

1

SPECIFICATIONS

ELECTRICAL
FREQUENCY RANGE _____ DC TO 12.4 GHz

ATTENUATION
0-6 dB _____ ±0.3 dB
7-10, 20 dB _____ ±0.5 dB
11-19, 21-30 dB _____ ±0.75 dB
40 dB _____ ±1.0 dB
50, 60 dB _____ ±2.0 dB
(AVAILABLE IN 1/2 dB VALUES 0.5 - 10.5 dB)

VSWR
DC-4 _____ 1.15:1 MAX
4-12.4 _____ 1.25:1 MAX

POWER (AVG) _____ 2 WATTS 0.5 dB AND ABOVE
50 WATTS FOR 0 dB UNIT
DERATED LINEARLY FROM 100% @+25°C TO 10% @ +125°C

POWER (PEAK) _____ 500 WATTS
5 μS PULSE W, 0.05% DUTY CYCLE

IMPEDANCE _____ 50 OHMS

MECHANICAL
OPERATING TEMP RANGE _____ -65 TO +125°C
1.24 LENGTH / WEIGHT MAX _____ 0.40oz. (11.3g)
1.80 LENGTH / WEIGHT MAX _____ 0.60oz. (15.3g)

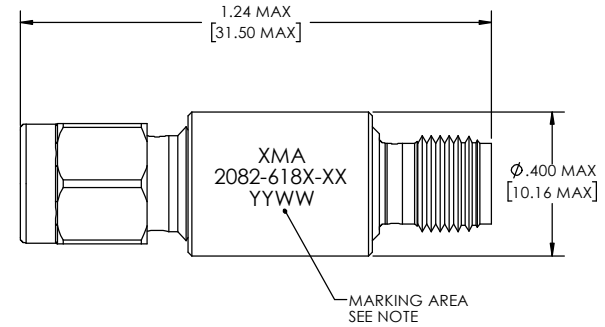
MATERIAL
OUTER CONDUCTOR _____ STAINLESS STEEL NON
MAGNETIC, PASSIVATED FINISH.
CENTER CONDUCTOR _____ BERYLLIUM COPPER, GOLD PLATED
FINISH.

DIELECTRIC _____ TEFLON.

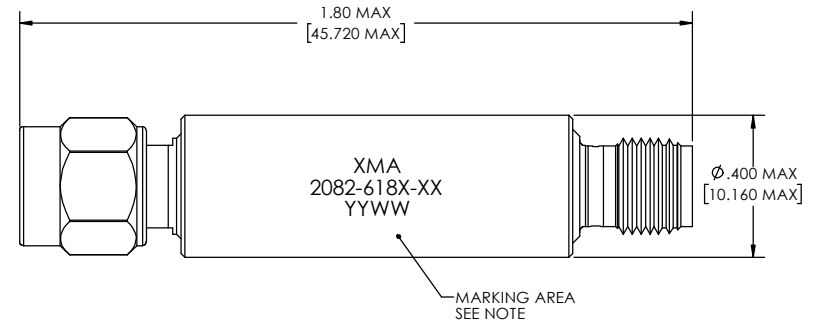
MATERIALS & FINISHES TYPICALLY PER MIL-PRF-39012

MARKING
PART LOOKS LIKE PRODUCT IMAGE ABOVE.
PART MARKING ORIENTATION AND FORMAT AS SHOWN.
MARKING TO BE AS LARGE AS POSSIBLE, CLEAR, READABLE, AND A
BLACK COLOR.
REPLACE "X-XX" WITH PART NUMBER SPECIFIED ON WORK ORDER.

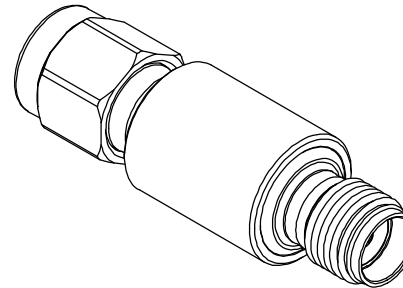
| REVISIONS | | | | |
|-----------|--------------------------|--------|---------|----------|
| REV | DESCRIPTION | ECO # | DATE | APPROVED |
| A | REVISED TO C SIZE FORMAT | | 9/9/10 | DS |
| B | UPDAED FORMAT | 17-075 | 5/23/17 | T.KUHN |
| | | | | |
| | | | | |



0 THRU 30 dB



40, 50, & 60 dB



| PLUG JACK | dB VALUE | PLUG JACK | dB VALUE |
|--------------|----------|-----------------------|----------|
| 2082-6181-01 | 1.0 | 2082-6184-14 | 6.5 |
| 2082-6181-02 | 0.5 | 2082-6184-15 | 7.0 |
| 2082-6181-03 | 1.0 | 2082-6184-16 | 7.5 |
| 2082-6182-04 | 1.5 | 2082-6184-17 | 8.0 |
| 2082-6182-05 | 2.0 | 2082-6184-18 | 8.5 |
| 2082-6182-06 | 2.5 | 2082-6184-19 | 9.0 |
| 2082-6183-07 | 3.0 | 2082-6184-20 | 9.5 |
| 2082-6183-08 | 3.5 | 2082-6185-30 | 10.0 |
| 2082-6183-09 | 4.0 | 2082-6185-40 (1.24LG) | 10.5 |
| 2082-6183-10 | 4.5 | 2082-6186-40 | 11.0 |
| 2082-6184-11 | 5.0 | 2082-6186-50 | 12.0 |
| 2082-6184-12 | 5.5 | 2082-6186-60 | 13.0 |
| 2082-6184-13 | 6.0 | | |

| QTY. | PART NUMBER | DESCRIPTION | ITEM NO. |
|------|------------------|---|----------|
| X | 2082-618X-dB | ATTENUATOR, SMA-m/f, DC-12.4GHz, 2W | |
| 1 | TA-2082-618X-dBU | ASSY, ATTENUATOR, SMA-m/f, DC-12.4GHz, 2W, UNMARKED | 1 |

DRAWING PRACTICES PER ANSI Y14.5
DIMENSIONS ARE IN INCHES AND APPLY BEFORE/AFTER PROCESSING

SURFACE FINISH: 63

FINISH: SEE NOTES

MATERIAL: SEE NOTES

NOTE: THIS DRAWING INCORPORATES THIRD ANGLE PROJECTION.

INTERPRET LAW ANSI Y14.5-1982

UNLESS OTHERWISE SPECIFIED TOLERANCES IN:

| DECIMALS | INCH | (MM) |
|----------|-------|--------|
| .X" | .05" | [1.27] |
| .XX" | .03" | [.76] |
| .XXX" | .010" | [.25] |

ANGLES ±0°30'
REMOVE ALL BURRS/SHARP W/ BREAK / R OF .003" TO .0005"
UNLESS OTHERWISE NOTED DIAS CONCENTRIC <.003 T.I.R.

DO NOT SCALE PRINT

DRAWN DATE
T.KUHN 7/28/10

CHECKED DATE
7/28/10

ENG APPR. DATE
SAUNDERS

THESE DRAWINGS AND SPECIFICATIONS ARE THE PROPERTY OF XMA CORP. OR OMNI SPECTRA AND SHALL NOT BE REPRODUCED, COPIED NOR USED IN WHOLE OR IN PART AS A BASIS FOR THE MANUFACTURE OR SALE OF OTHER ITEMS WITHOUT THE EXPRESS WRITTEN PERMISSION OF XMA CORP.

Phone: 603-222-2256 Fax: 603-222-2259
150 Dow Street, Manchester, NH 03103

ATTENUATOR, SMA-m/f, DC-12.4GHz, 2W

| SIZE | CAGE CODE | DRAWING NUMBER | REV |
|------|-----------|----------------|-----|
| C | 3HT76 | 2082-618X-dB | B |

SCALE: PLATED AREA 50 IN SHEET 1 OF 1

4

3

2

1